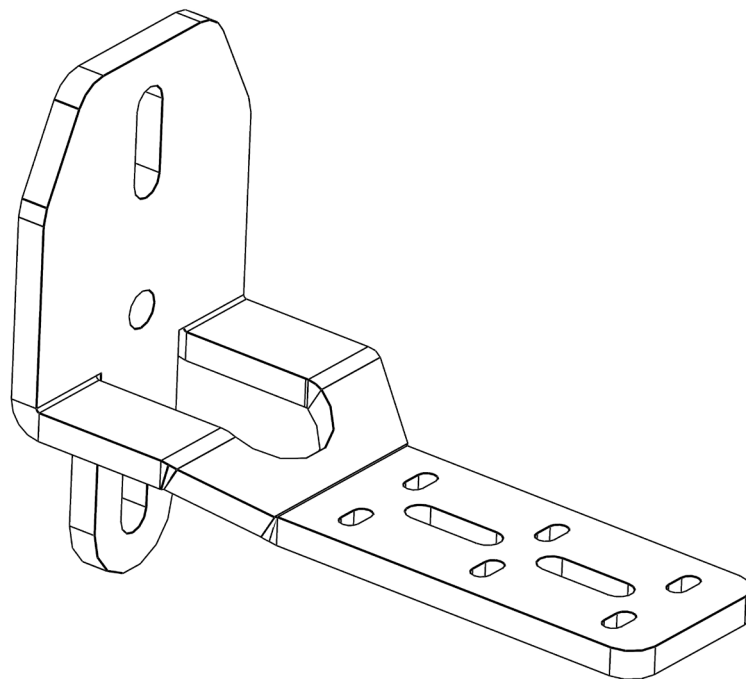




VICTORY 4X4

# 270 DEGREE AWNING MOUNTS

## INSTALL INSTRUCTIONS



**Please read the mounting instructions below carefully before attempting to install.**

**Be sure to check out the install video on the product page, if available.**

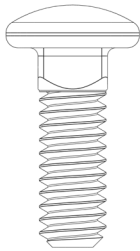
Thank you for purchasing from Victory 4x4! Checkout our website, [victory4x4.com](http://victory4x4.com) for other great off-road products. Be sure to rate and review our product online. If you have any questions or are missing parts, please don't hesitate to call us at 269-459-8447!

# INCLUDED HARDWARE

## INCLUDED BOLT PACK(S) 046-0157

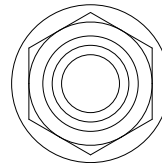
Note: Some Victory 4x4/JCR Offroad/SquatchProof products share hardware kits. Any extra hardware you may receive that is not listed below can be repurposed or discarded.

8x



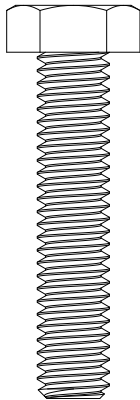
1/4"-20 x .75"  
T-Slot Stud

8x



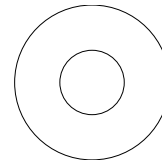
1/4"-20  
Flange Locknut

4x



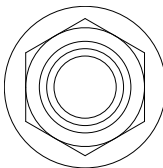
5/16"-18 x 1-1/2"  
Hex Head

4x



1/4" USS  
Flat Washer

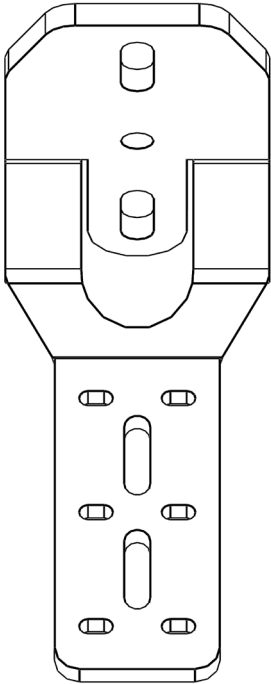
4x



5/16"-18  
Flange Locknut

# INCLUDED PARTS

2x



**Awning Mount**

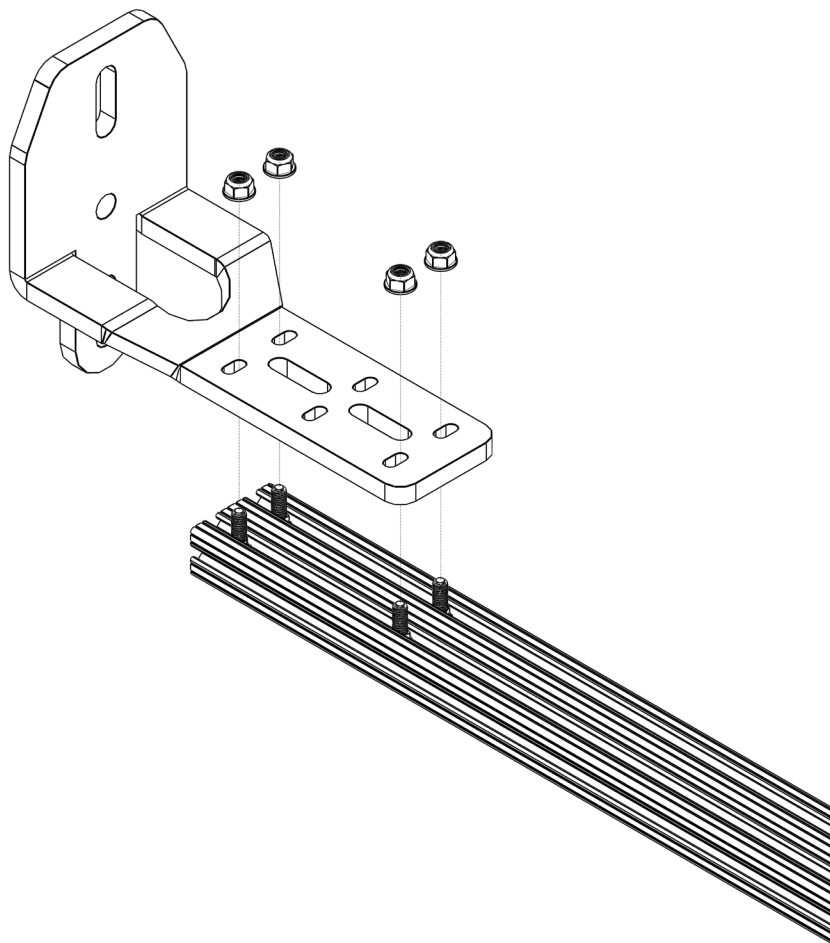
# INSTALLATION

- 1.** To install, you can either start by loosely installing the 270 brackets right to your awning using manufacturer supplied hardware, leaving room for left to right adjustment when installing the assembly to your roof rack or bed rack. Or you loosely install the mounts to your rack first, then lifting your awning up afterwards.
- 2a.** If you choose to install the brackets to your awning first, use the slots on the front face of the brackets to install your manufacturer supplied hardware through, as shown in the image below. Make sure to leave these somewhat loose so you have vertical adjustment when it comes to positioning the awning to your rack.



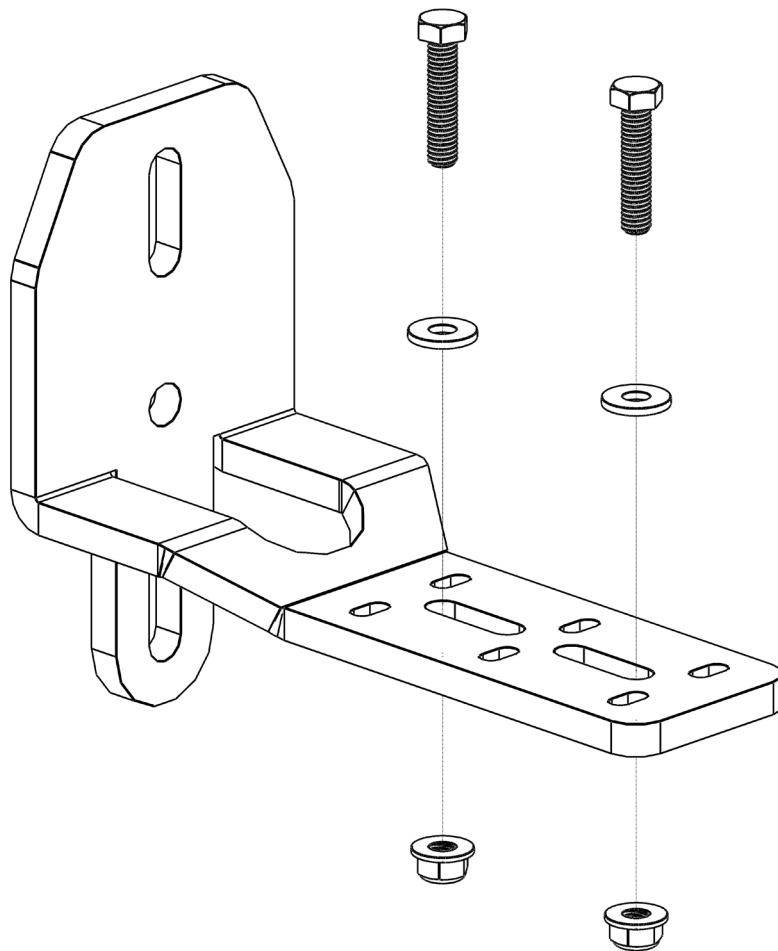
# INSTALLATION

- 2b.** To install the brackets to your crossbars, first measure how wide your awning is relative to your rack to know where to mount your brackets in the most optimal position. Then slide in the provided T-slot bolts into the top slots of your crossbars. Once in place, set your bracket on top of them, mounting to the outside slots, as shown below, using the provided 1/4"-20 locknuts. Repeat this process on the opposite side of the rack.



# INSTALLATION

- 2c.** If you are mounting to a bed rack, you will use the larger (2) slots on the top face of the brackets with the supplied hex head bolts, washers and flange nuts, as shown in the orientation below.



# INSTALLATION

3. With your brackets in place on your roof rack or bed rack, refer back to step 2a if you need help on how to mount the awning to your brackets. Once your awning is in place on your roof or bed rack, make any final adjustments that may need to be made as far as clearances to your vehicle, rack, or any accessories you may have. Once everything is adjusted and clear, be sure to go around and tighten all of your hardware to complete your install.

