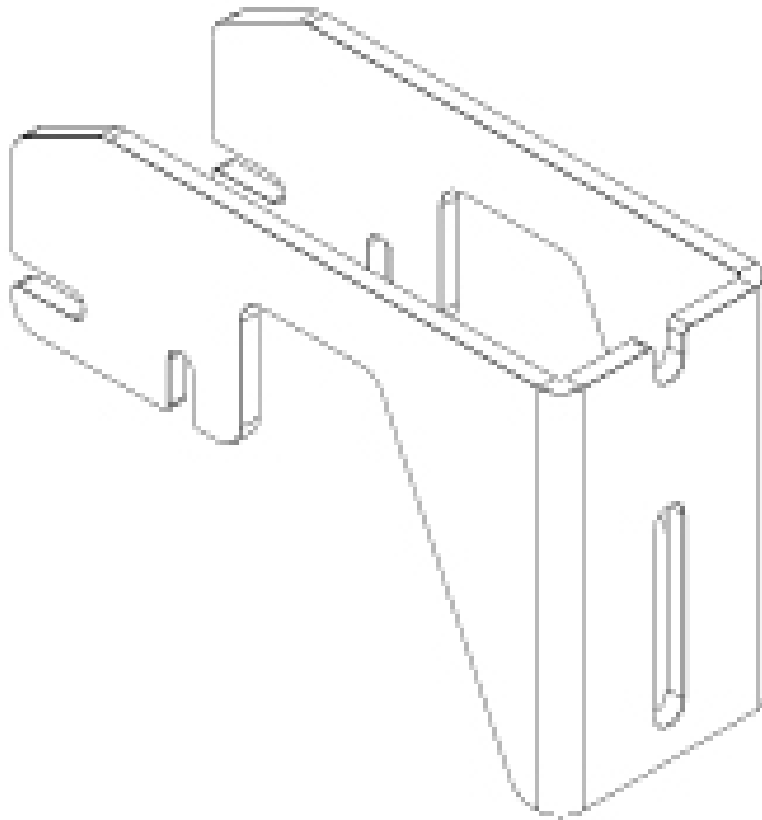




VICTORY 4X4

# ROOF RACK AWNING MOUNT

## INSTALL INSTRUCTIONS



**Please read the mounting instructions below carefully before attempting to install.**

**Be sure to check out the install video on the product page, if available.**

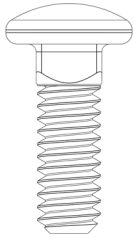
Thank you for purchasing from Victory 4x4! Checkout our website, [victory4x4.com](http://victory4x4.com) for other great off-road products. Be sure to rate and review our product online. If you have any questions or are missing parts, please don't hesitate to call us at 269-459-8447!

# INCLUDED HARDWARE

## INCLUDED BOLT PACK(S) 046-0114

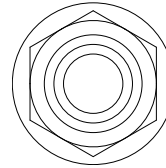
Note: Some Victory 4x4/JCR Offroad/SquatchProof products share hardware kits. Any extra hardware you may receive that is not listed below can be repurposed or discarded.

8x



1/4"-20 X .75"  
Slide-In T-Stud

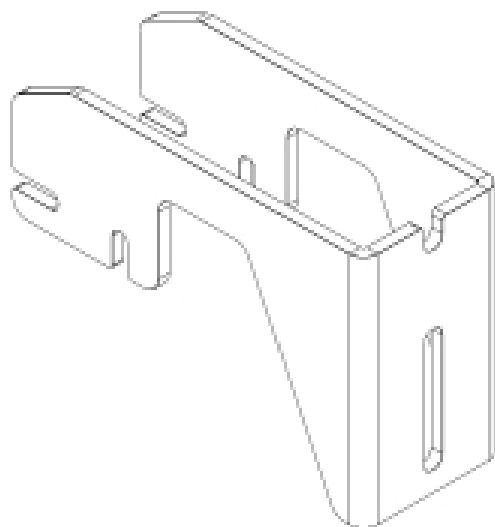
8x



1/4"-20  
Locknut

# INCLUDED PARTS

2x



# INSTALLATION

1. To install, start by sliding (2) of the provided slide in T-studs into the slots on each of the shorter sides of the crossbar, as shown below. If you have already installed the crossbar into your roofrack, you will need to take the bolts out of that end in order to be able to lift it out enough to slide the T-studs in. Then, slide the awning mount over the studs in the crossbar and use the provided 1/4"-20 locknuts to secure the mount to the crossbar. Once you have one installed, repeat for the other at the correct distance for your awning. You may need adjust the position of the cross bars to fit your awning.

