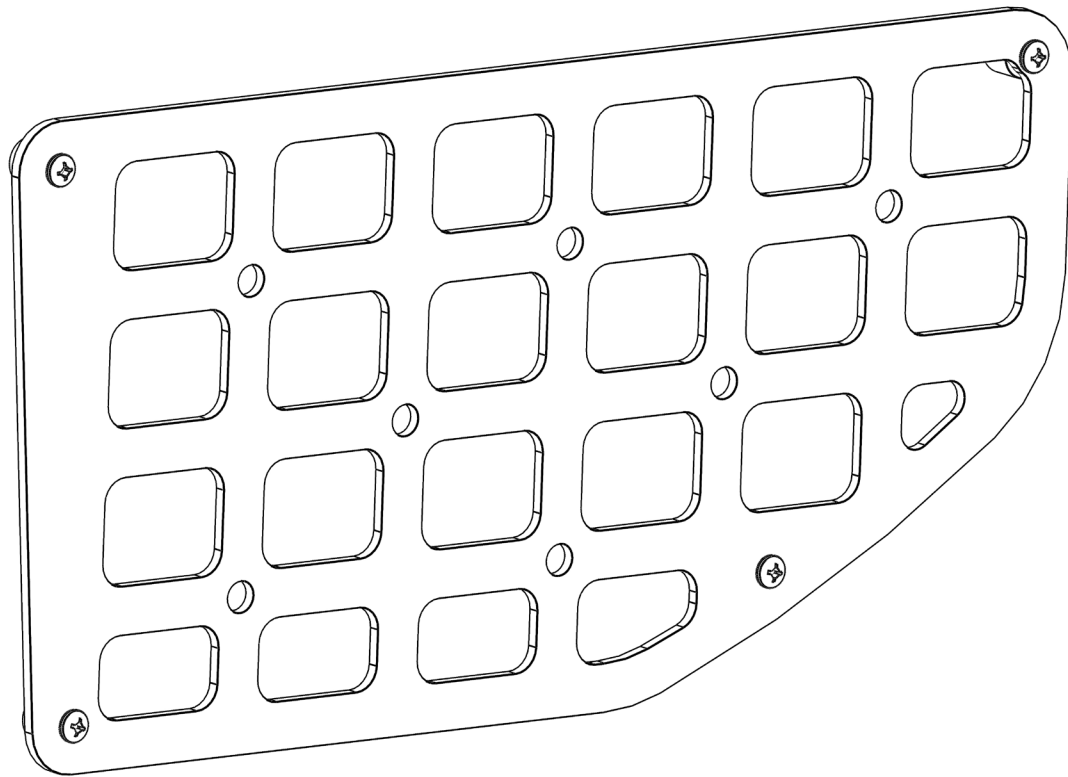




VICTORY 4X4

# 3RD GEN NISSAN FRONTIER DOOR MOLLE PANEL

## INSTALL INSTRUCTIONS



**Please read the mounting instructions below carefully before attempting to install.**

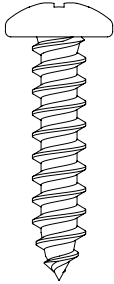
**Be sure to check out the install video on the product page, if available.**

Thank you for purchasing from Victory 4x4! Checkout our website, [victory4x4.com](http://victory4x4.com) for other great off-road products. Be sure to rate and review our product online. If you have any questions or are missing parts, please don't hesitate to call us at 269-459-8447!

# INCLUDED HARDWARE

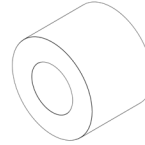
## INCLUDED BOLT PACK(S) 046-0044

8x



Black Philips Head  
18-8 Stainless Steel  
3/4" Long Screw

8x



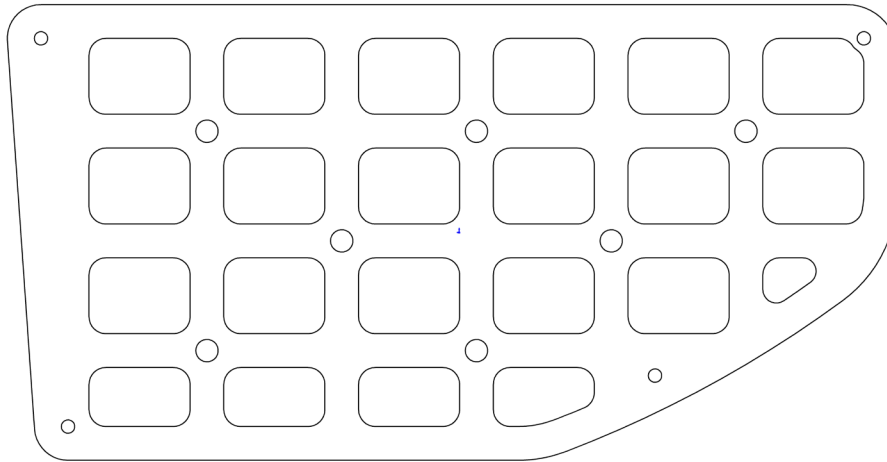
Black Nylon 1/2" OD  
3/8" Long Spacer

Note: Some Victory 4x4/JCR Offroad/SquatchProof products share hardware kits. Any extra hardware you may receive that is not listed above can be reused or discarded.

# INCLUDED PARTS

**FRONT**

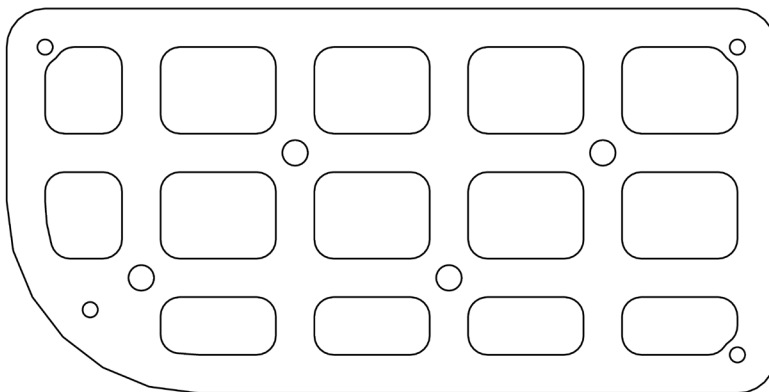
2x



OR

**REAR**

2x



# INSTALLATION

1. Start by lining up the panel up on the side of your door panel on either the driver or passenger side, and align it visually to your liking trying to match the curve and spacing, as shown below (driver side). When the panel is lined up to your liking, then take a punch or a philips head screw driver and apply pressure to mark the four smaller mounting holes in the plastic.



**FRONT**

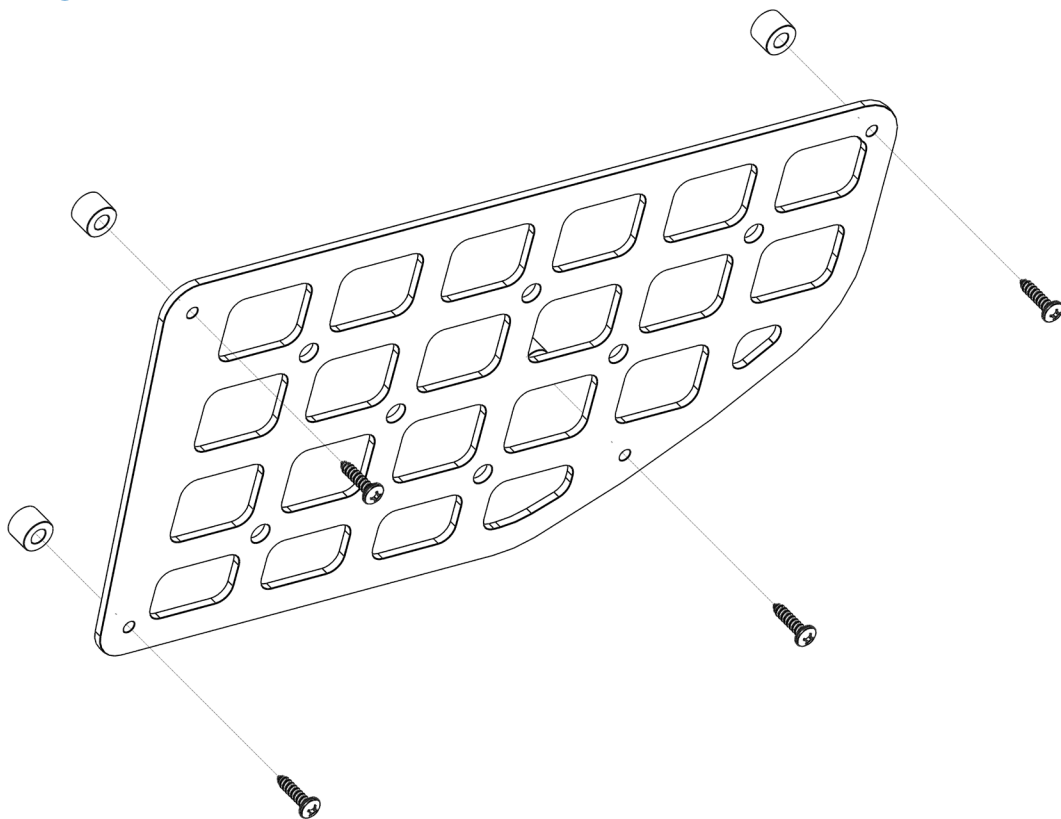


**REAR**

# INSTALLATION

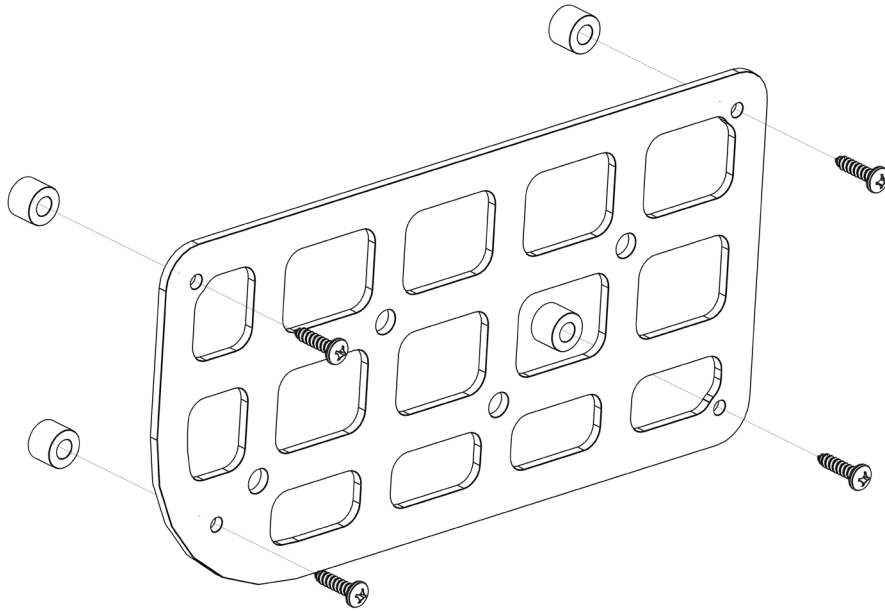
2. Once the pilot holes are marked, you can remove the panel. Take the provided screws and start to thread them into the locations just marked in the plastic. Once the holes are established with the screws, remove the screws in preparation for the final installation. Make sure not to punch too far through the plastic. You can also use a drill with a 1/16" drill bit to start your holes.
3. After the holes are started, place the panel back in line with the holes and place the provided spacers behind the panel. You can then start to thread the screws into the plastic with a screwdriver until all four are snug and the panel is secure, be sure not to over tighten.

## FRONT



# INSTALLATION

## REAR



4. That's it! Now you're equipped with a sturdy mounting location for your desired fast-access gear. Please visit us at [www.victory4x4.com](http://www.victory4x4.com) for other made-in-the-US armor and storage options.