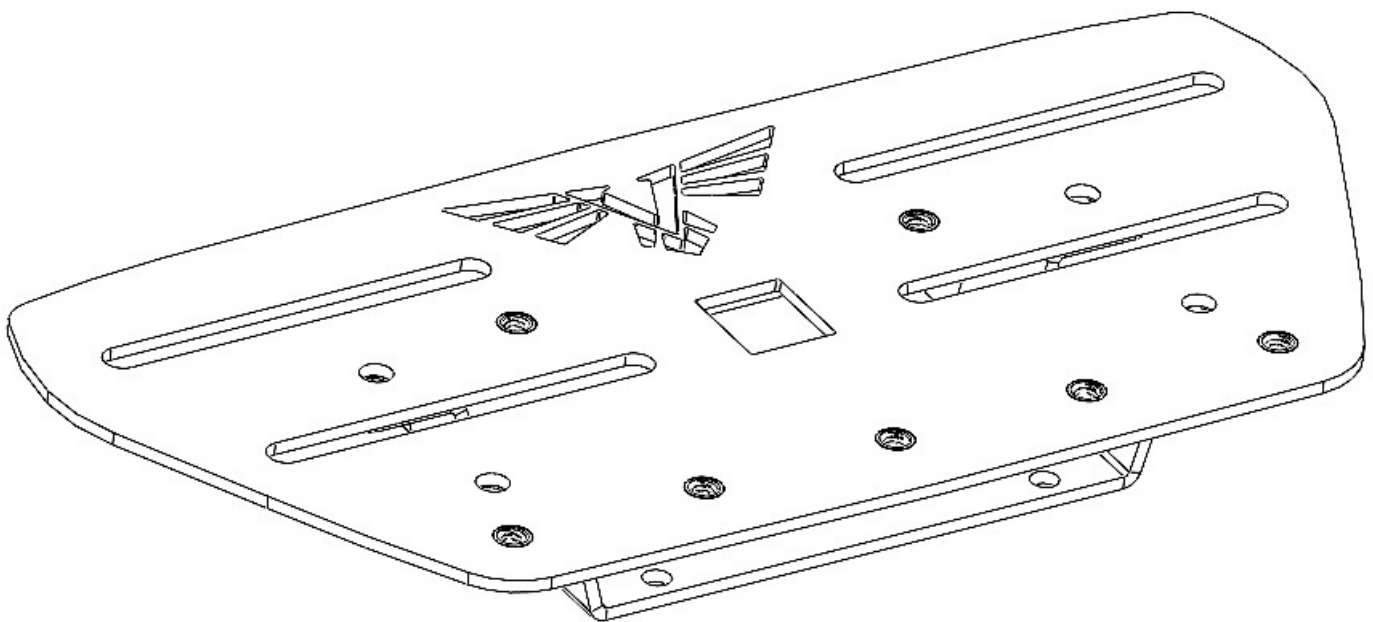




VICTORY 4X4

3RD GEN NISSAN FRONTIER DASH ACCESSORY MOUNT

INSTALL INSTRUCTIONS



Please read the mounting instructions below carefully before attempting to install.

Be sure to check out the install video on the product page, if available.

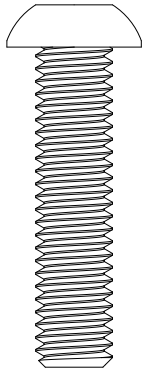
Thank you for purchasing from Victory 4x4! Checkout our website, victory4x4.com for other great off-road products. Be sure to rate and review our product online. If you have any questions or are missing parts, please don't hesitate to call us at 269-459-8447!

INCLUDED HARDWARE

INCLUDED BOLT PACK(S) 045-0157

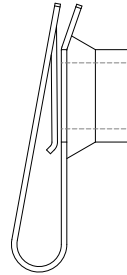
INCLUDED BOLT PACK(S) 070-0066

4x



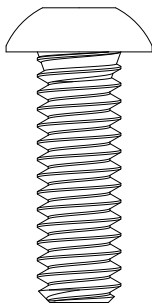
1/4"-20 Button Head

1x



M6 Clip Nut

1x



M6 Button Head

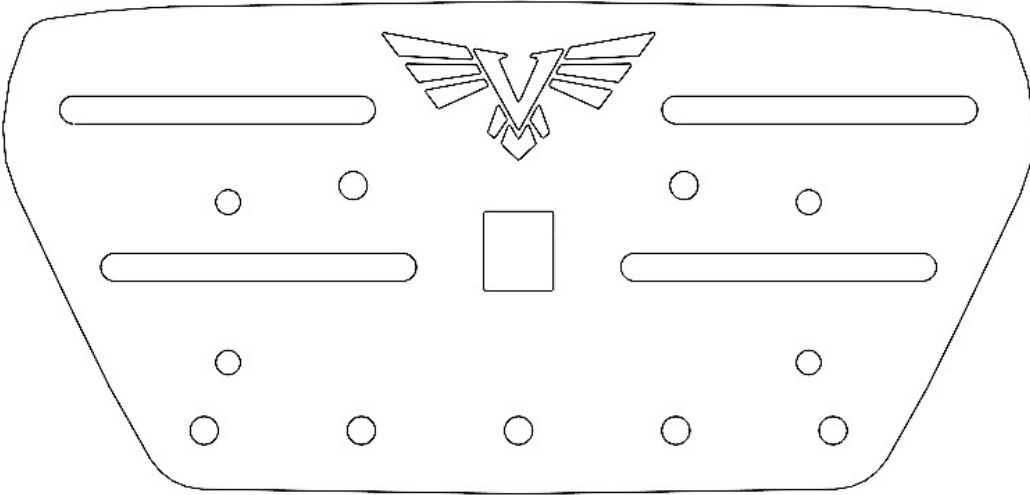
1x

USB Extension Cable

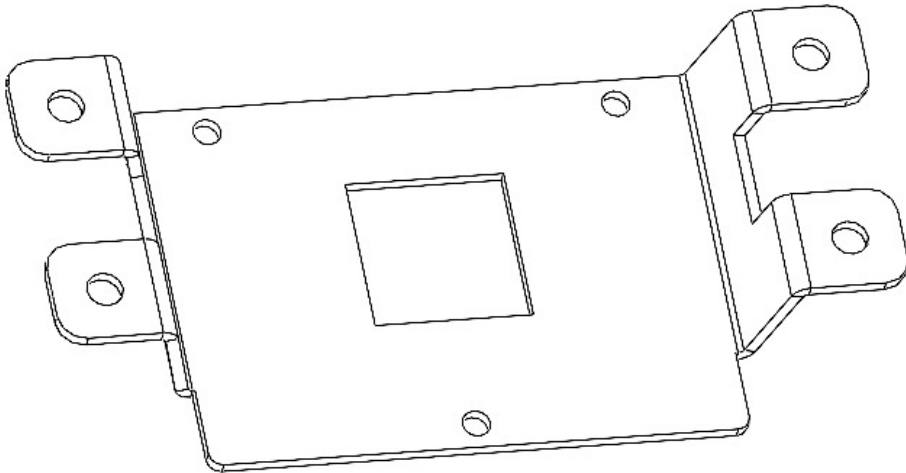
Note: Some Victory 4x4/JCR Offroad/SquatchProof products share hardware kits. Any extra hardware you may receive that is not listed above can be reused or discarded.

INCLUDED PARTS

1x



1x



INSTALLATION

- 1.** Start by removing the rubber cover panel behind the monitor on the dash, you can simply just pick it up and remove it, as shown below.



- 2.** Once the rubber piece is removed, take a Philips head screwdriver and remove the (2) factory screws toward the rear of the plastic panel, as shown below. Be sure to hold onto these, as you will be re-installing them.



INSTALLATION

3. With the screws removed, take some sort of pry tool or flat head screwdriver and pop out the plastic panel. There will be three clips holding the piece into the dash.



4. Now that the plastic panel is out of the way, take the provided M6 clip nut and install it into the front center factory slot, as shown below. Be sure the flat side of the clip nut is facing up, and center it in the slot as best you can.



INSTALLATION

5. Next, you will take the provided mounting bracket and line it up on that the front center hole is in line with clip nut you just installed. Once aligned, thread in the provided M6 button head. Leave this loose for now, until the factory screws are installed in the next step.



6. Take the (2) factory screws that were removed, and thread them into the holes in the back of the mounting bracket to finish securing the bracket to the dash. Make sure to tighten down the M6 button head after the factory bolts are tight.



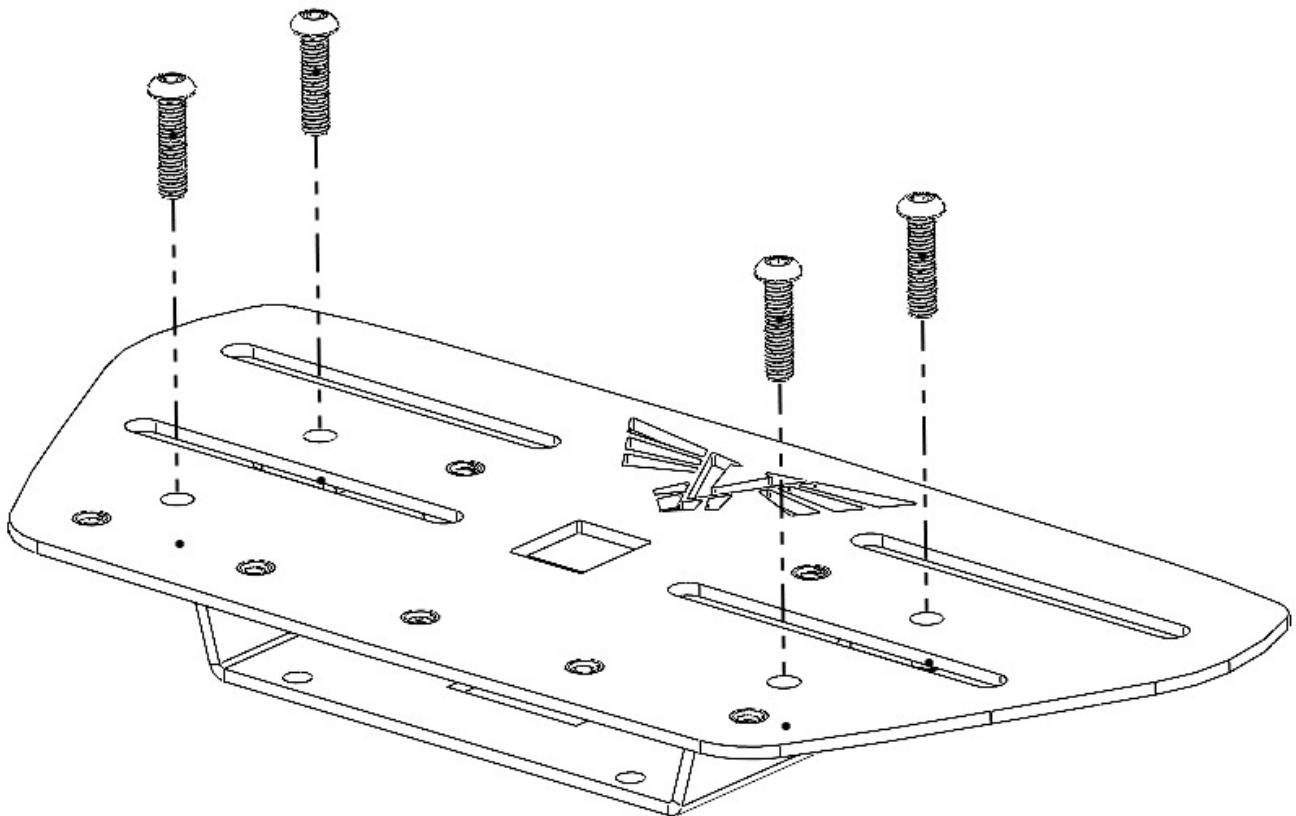
INSTALLATION

7. Next, take the provided USB extension cable and insert it into the rectangle cut out on the provided panel until it snaps into place. Be sure to pass your cables through the cut out first. We also recommend applying RTV on the backside of the panel around the base of the USB, to hold it in place and prevent any noise.



INSTALLATION

- 8.** This next step you will be routing the USB cables to power, you are free to do this whatever way you please based on your comfort and skill set as you do have to tear some of the dash apart. We recommend that you watch the install video on the product page on our website for more a more in depth look and help on how we installed ours.
- 9.** Now that your cables are routed to power and your dash is back together, place the panel on top of the mounting bracket and take the (4) provided 1/4"-20 button heads and use them to secure the panel to the bracket through the holes that do not already have a PEM nut in them. Once all (4) of your bolts are started, tighten them down using a 5/32 hex to complete your install.



INSTALLATION

- 10.** You are now free to mount and secure accessories to your dash accessory panel using RAM® Diamond Ball Bases or RAM® Tough-Ball™ with 1/4"-20 x .50" threaded studs any way you'd like. Be sure to check out Victory4x4.com for even more products including Frontier.

