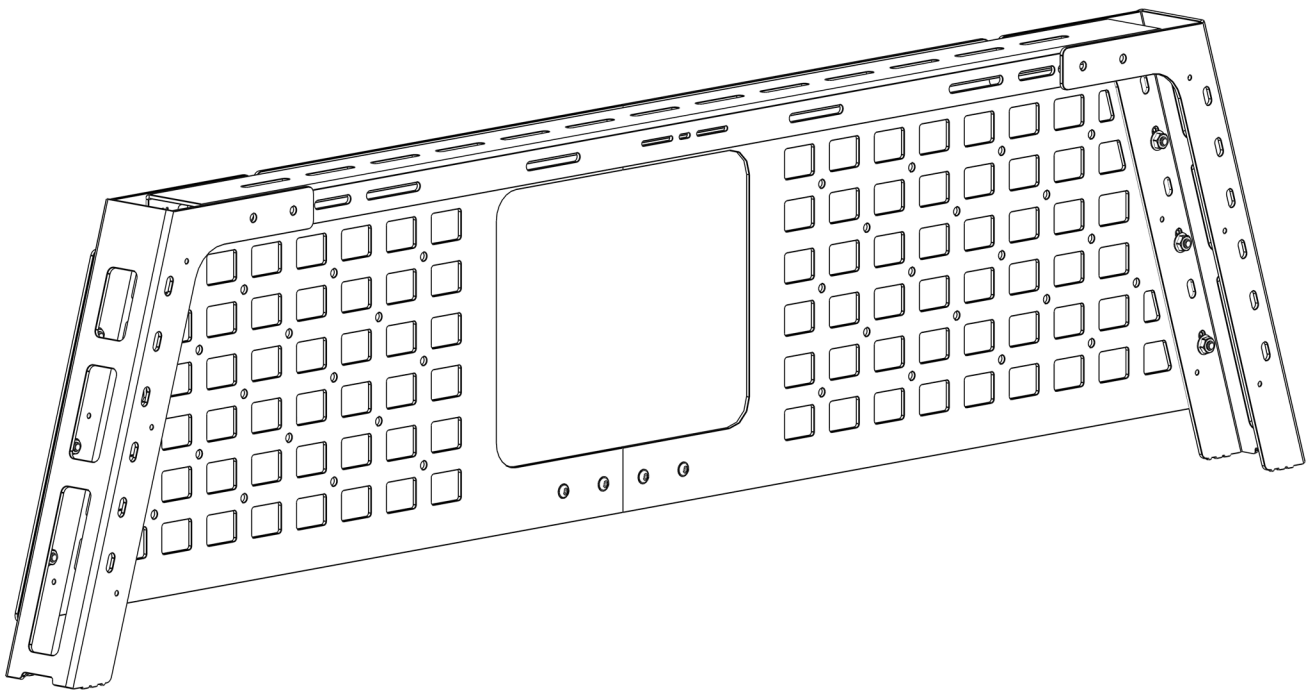




VICTORY 4X4

# TACOMA, TUNDRA & COLORADO BED RACK HEADACHE RACK

## INSTALL INSTRUCTIONS



**Please read the mounting instructions below carefully before attempting to install.**

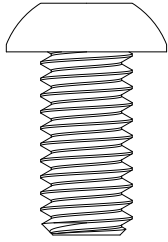
**Be sure to check out the install video on the product page, if available.**

Thank you for purchasing from Victory 4x4! Checkout our website, [victory4x4.com](http://victory4x4.com) for other great off-road products. Be sure to rate and review our product online. If you have any questions or are missing parts, please don't hesitate to call us at 269-459-8447!

# INCLUDED HARDWARE

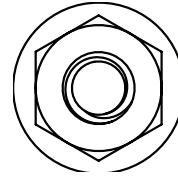
## INCLUDED BOLT PACK(S) 045-0118

14x



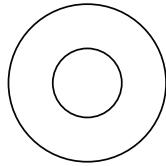
5/16"-18 Stainless  
Button Head

14x



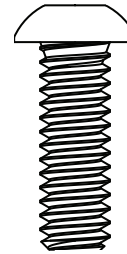
5/16"-18 Serr.  
Flange Nut

4x



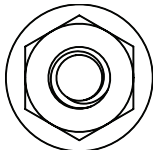
18-8 x 1/4"  
Flat Washer

4x



M6 x 25mm  
Button Head

4x

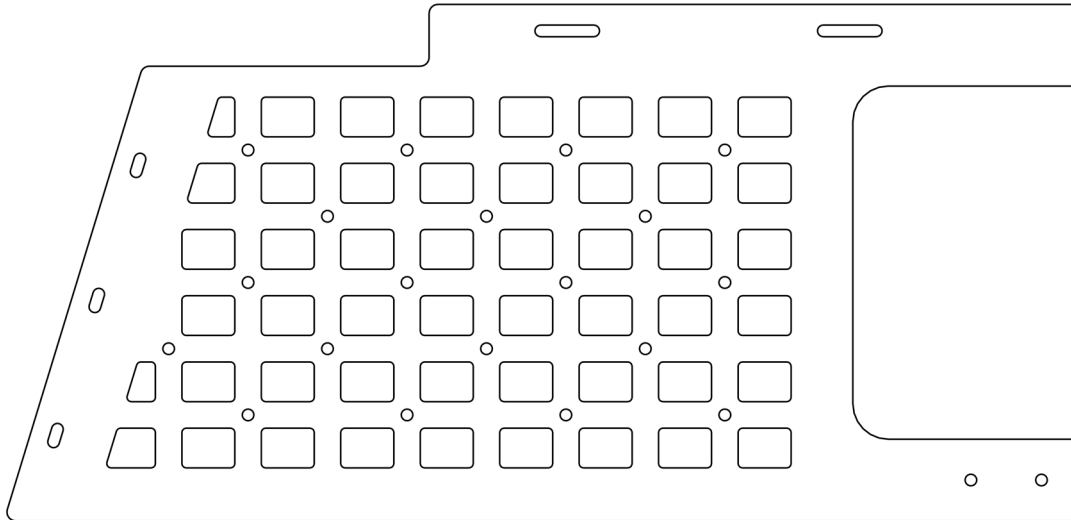


M6 Steel Serr  
Flange Nut

Note: Some Victory 4x4/JCR Offroad/SquatchProof products share hardware kits. Any extra hardware you may receive that is not listed above can be reused or discarded.

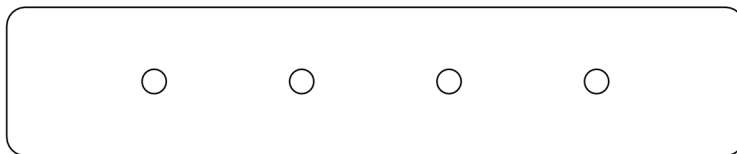
# INCLUDED PARTS

2x



Panel Pieces

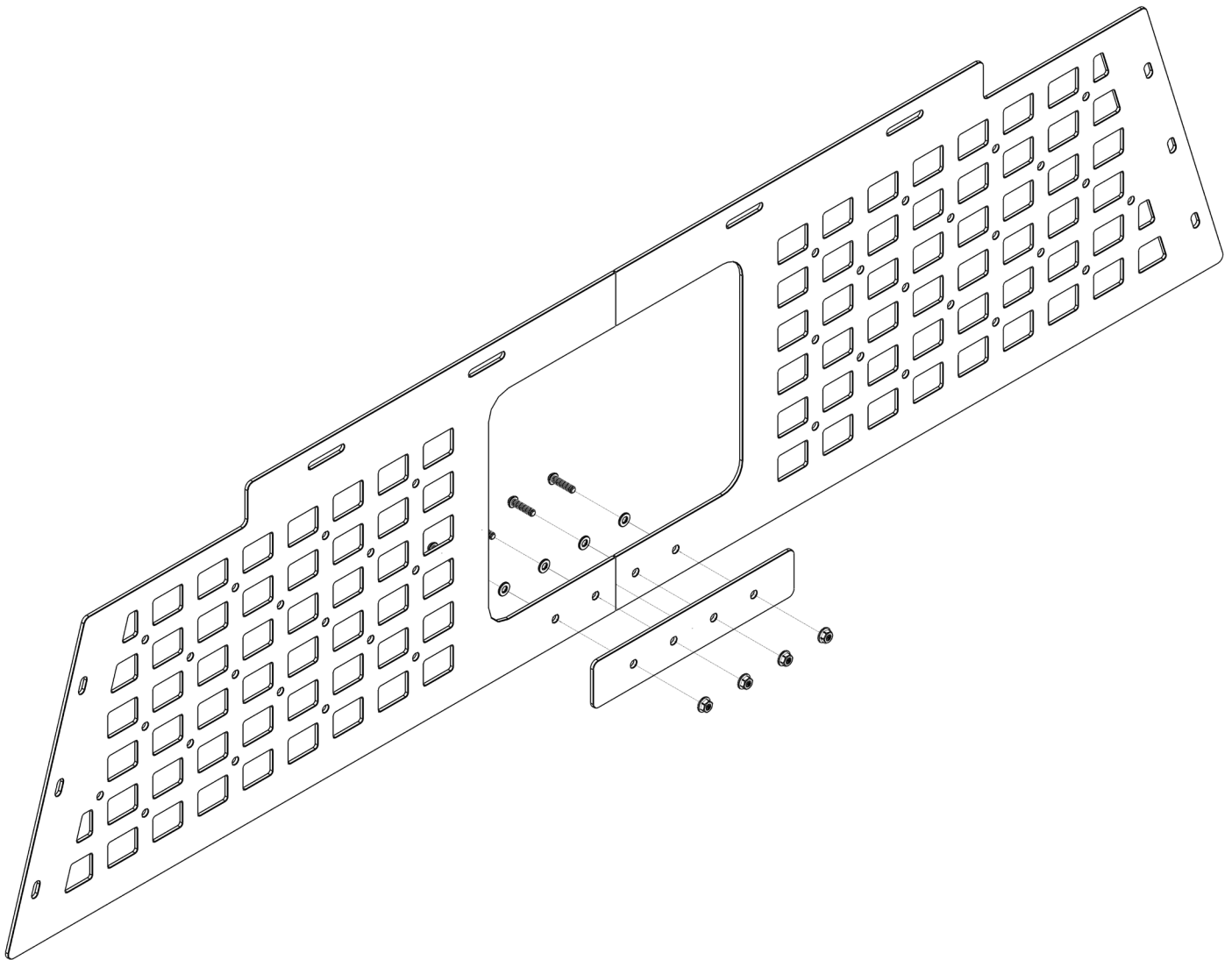
1x



Connector Bracket

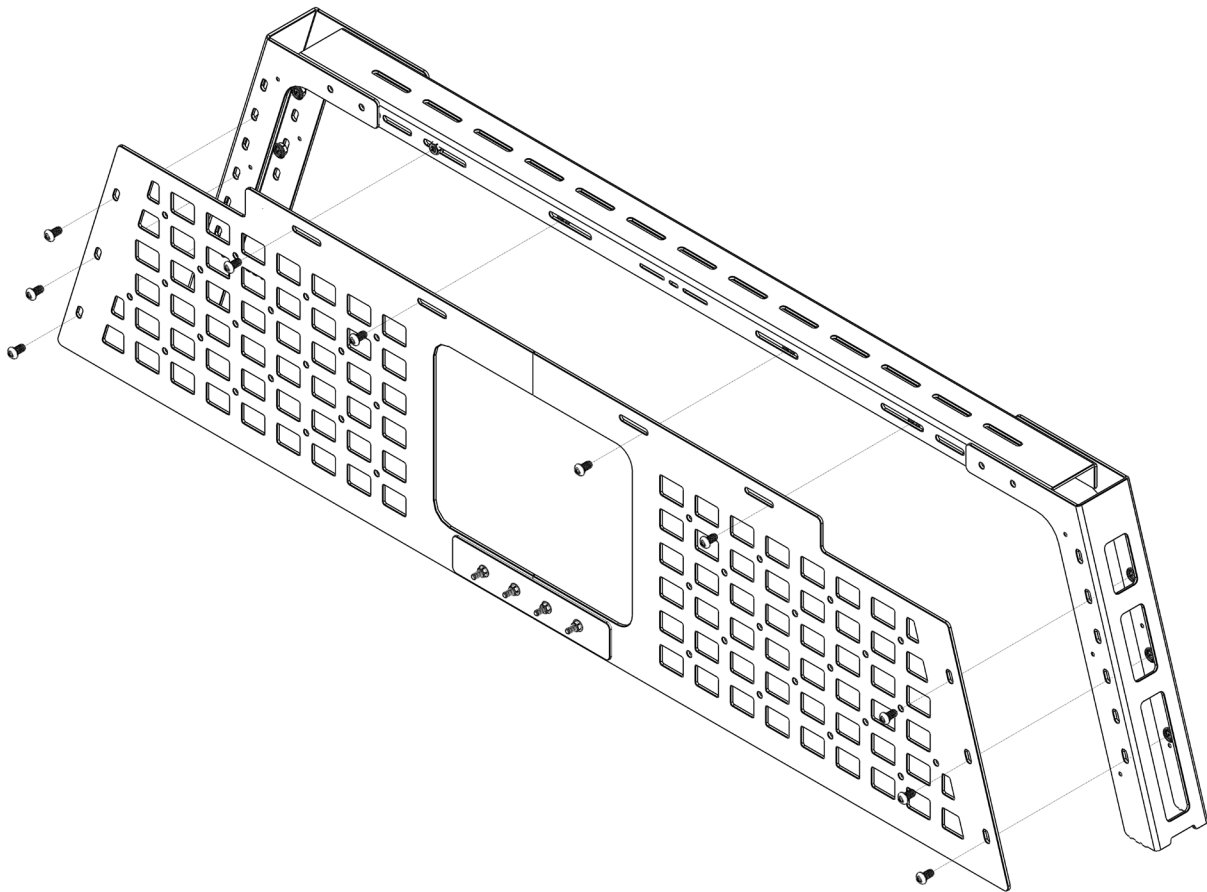
# INSTALLATION

1. Start by taking the (2) provided panel pieces and assembling them together using the connector bracket and the supplied M6 button heads, washers and flange nuts. Assemble together as shown in the orientation below.



# INSTALLATION

2. With the (2) panels assembled together as one, take (10) of the provided 5/16" button heads and flange nuts and secure the panel assembly to the back of your Bed Rack, as shown in the orientation below, with the connector bracket bolts facing the cab (viewed from the cab side of the rack).



# INSTALLATION

3. With your panel secure to your Bed Rack, make sure all of your hardware is tight to complete your install. And that's it! You're now equipped with a sturdy mounting location for your desired fast-access gear. Please visit us at [www.victory4x4.com](http://www.victory4x4.com) for other made-in-the-US armor and storage options.

