



VICTORY4X4

# TABLE OF CONTENTS

5TH GEN 4RUNNER & GX460 DOOR  
MOLLE PANEL.....2

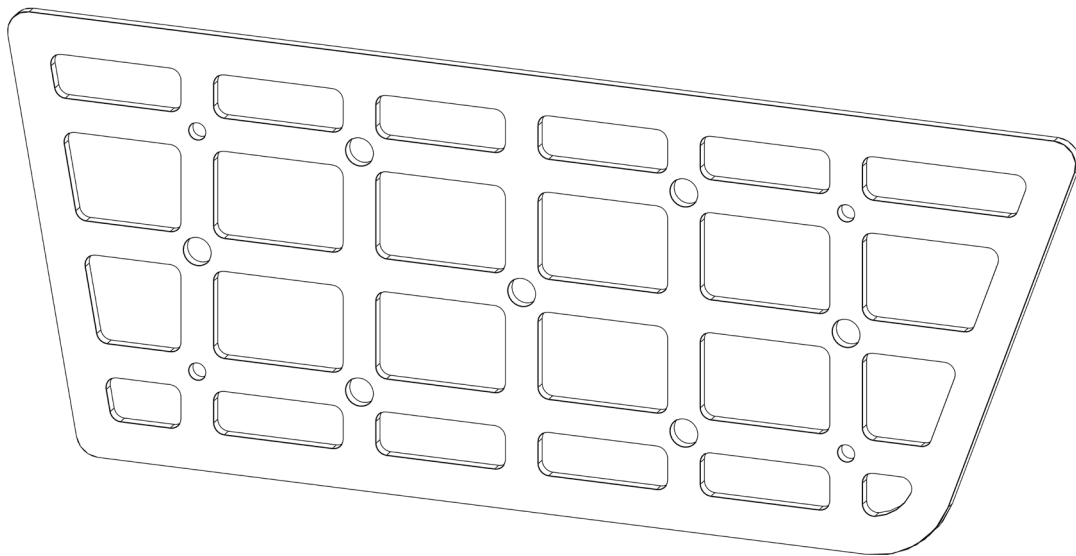
4TH GEN 4RUNNER DOOR MOLLE  
PANEL.....7



VICTORY 4X4

# 5TH GEN 4RUNNER & GX460 DOOR MOLLE PANEL

## INSTALL INSTRUCTIONS



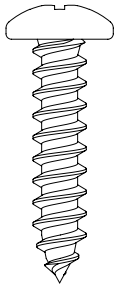
**Please read the mounting instructions below carefully before attempting to install.**

**Be sure to check out the install video on the product page, if available.**

Thank you for purchasing from Victory 4x4! Checkout our website, [victory4x4.com](http://victory4x4.com) for other great off-road products. Be sure to rate and review our product online. If you have any questions or are missing parts, please don't hesitate to call us at 269-459-8447!

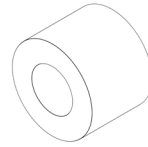
# INCLUDED HARDWARE

8x



Black Philips Head  
18-8 Stainless Steel  
3/4" Long Screw

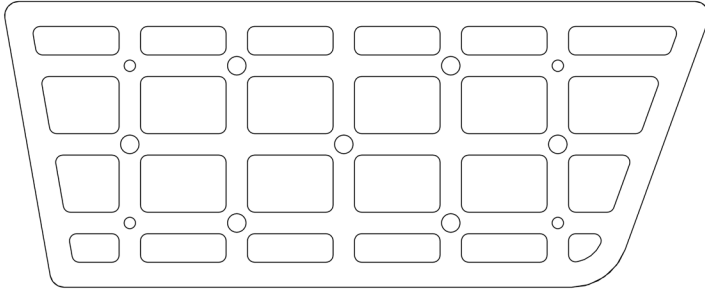
8x



Black Nylon 1/2" OD  
3/8" Long Spacer

# INCLUDED PARTS

2x



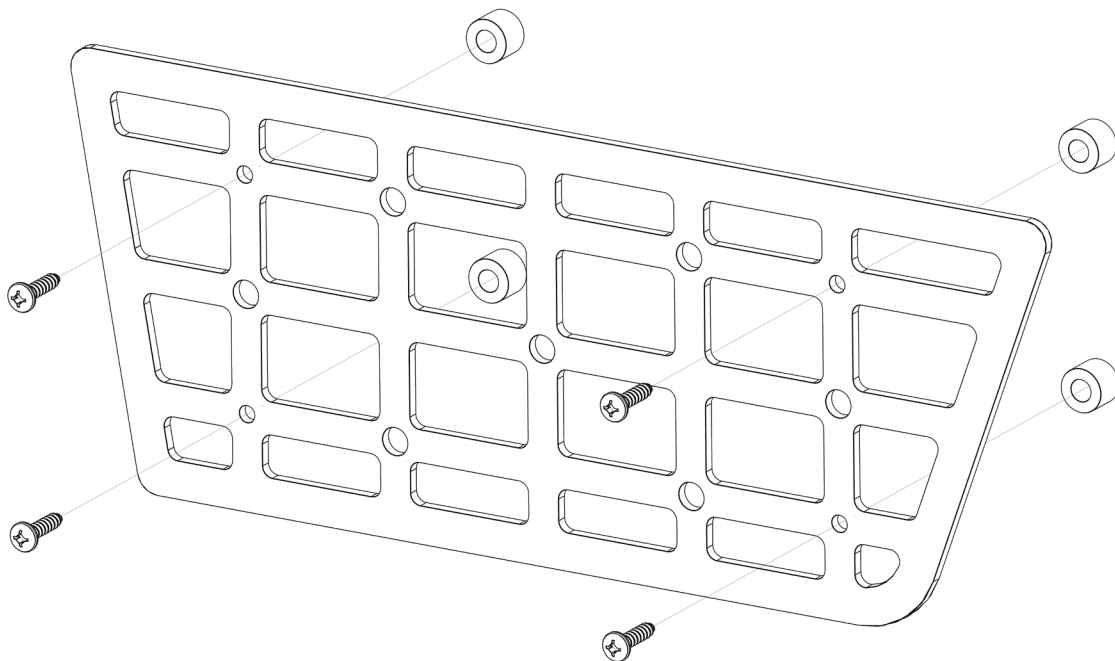
# INSTALLATION

1. Start by lining up the panel up on you door in the area between the cubby and the arm rest, as shown below (driver side). When the panel is lined up to your liking, then take a punch or a philips head screw driver and apply pressure to mark the four smaller mounting holes in the plastic.



# INSTALLATION

2. Once the pilot holes are marked, you can remove the panel. Take the provided screws and start to thread them in to the locations just marked. Make sure not to punch too far through the plastic. You can also use a drill with a 1/16" drill bit to start your holes, making sure not to punch through the plastic.
3. After the holes are started, place the panel back in line with the holes and using the provided spacers, as shown below (driver side), start to thread the screws into the plastic with a screw driver until all four are snug and the panel is secure. Be sure not to over tighten. Repeat this process for the other side.

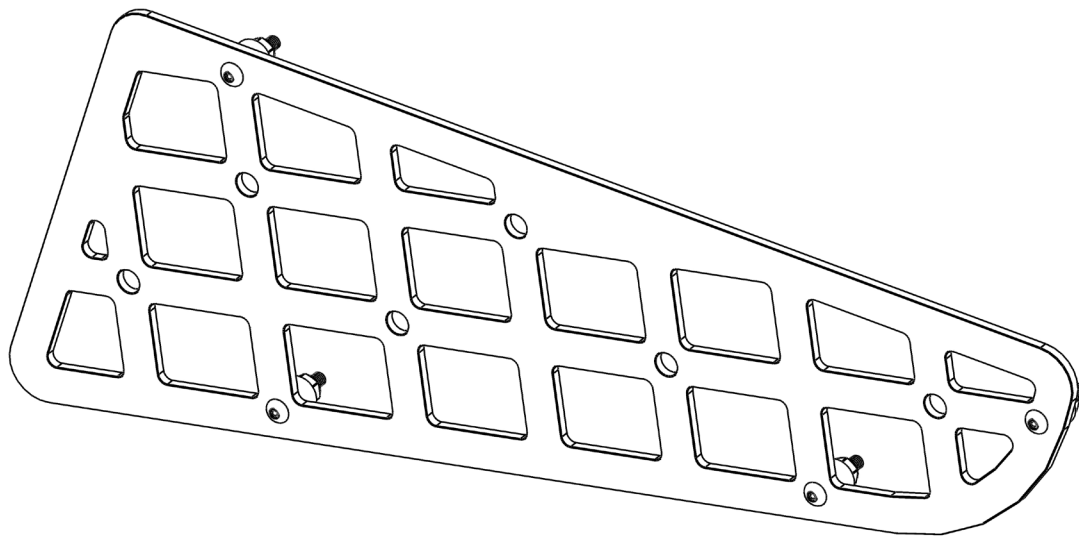




VICTORY 4X4

# 4TH GEN 4RUNNER DOOR MOLLE PANEL

## INSTALL INSTRUCTIONS



**Please read the mounting instructions below carefully before attempting to install.**

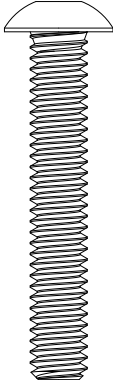
**Be sure to check out the install video on the product page, if available.**

Thank you for purchasing from Victory 4x4! Checkout our website, [victory4x4.com](http://victory4x4.com) for other great off-road products. Be sure to rate and review our product online. If you have any questions or are missing parts, please don't hesitate to call us at 269-459-8447!

# INCLUDED HARDWARE

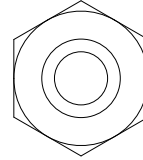
## INCLUDED BOLT PACK(S) 046-0099

8x



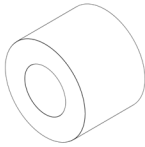
8-32 x 1"  
Button Head

8x



8-32 Nylon Insert  
Locknut

8x



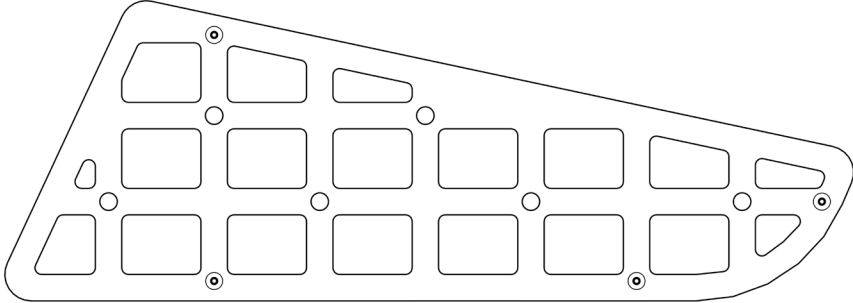
Black Nylon 1/2" OD  
3/8" Long Spacer

Note: Some Victory 4x4/JCR Offroad/SquatchProof products share hardware kits. Any extra hardware you may receive that is not listed above can be repurposed or discarded.



# INCLUDED PARTS

2x



Door Molle

# INSTALLATION

- 1.** Start by lining up the panel up on you door on the cubby area just below the arm rest, as shown below (passenger side). When the panel is lined up to your liking, with about a 1/4" gap all the way aorund, then take a punch or a philips head screw driver and apply pressure to mark the four smaller mounting holes in the plastic.



# INSTALLATION

2. Once the pilot holes are marked, you can remove the panel. Take a 1/4" drill bit and drill out the (4) locations just marked on the plastic.
3. After the holes are drilled, place the panel back in line with the holes and using the (4) provided button heads, locknuts and spacers, as shown below (passenger side), making sure the spacers go in front of the plastic and the locknuts are inside of the cubby. Repeat this process for the other side.

