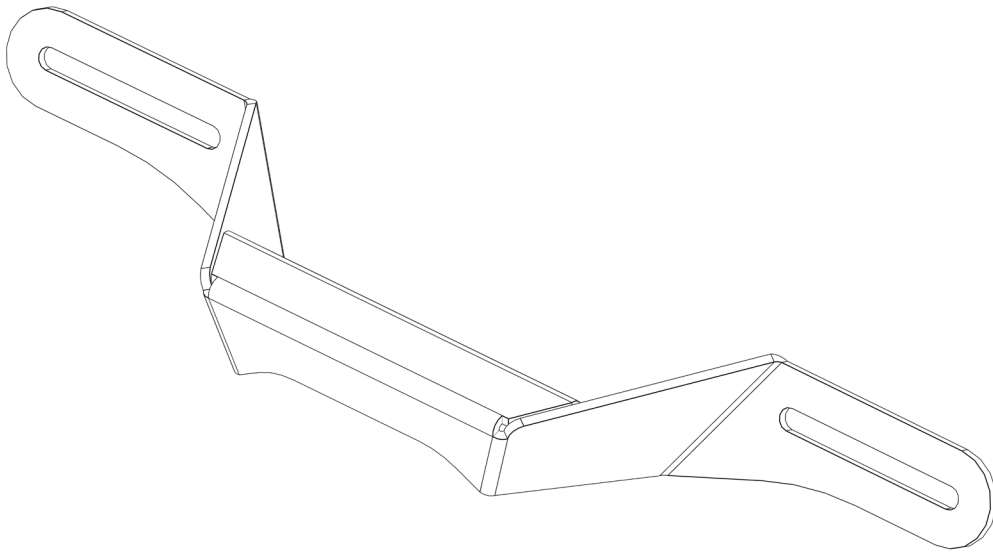




VICTORY 4X4

# UNIVERSAL ROOF RACK GRAB HANDLE MOUNT

## INSTALL INSTRUCTIONS



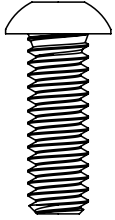
**Please read the mounting instructions below carefully before attempting to install.**

**Be sure to check out the install video on the product page, if available.**

Thank you for purchasing from Victory 4x4! Checkout our website, [victory4x4.com](http://victory4x4.com) for other great off-road products. Be sure to rate and review our product online. If you have any questions or are missing parts, please don't hesitate to call us at 269-459-8447!

# INCLUDED HARDWARE

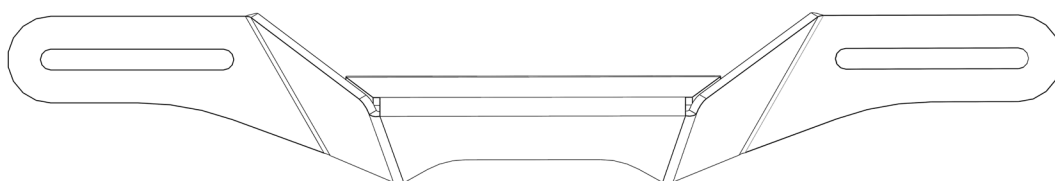
8x



1/4"-20 x 1 Button

# INCLUDED PARTS

2x



# INSTALLATION

1. Place a rag under each crossbar to prevent scratching your roof after removing the bolts from the crossbars. Then remove the 1/4" bolts with a T-handle or impact that are securing your two crossbars to the roof rack where you decide to place your grab handle.



# INSTALLATION

2. Once you have your bolts removed, you can then line up your grab handle bracket to the slots you removed your bolts from. Once you have it lined up accordingly, you can then tighten your provided bolts back into the crossbar along with your grab handle. You now have your grab handle fully installed!

